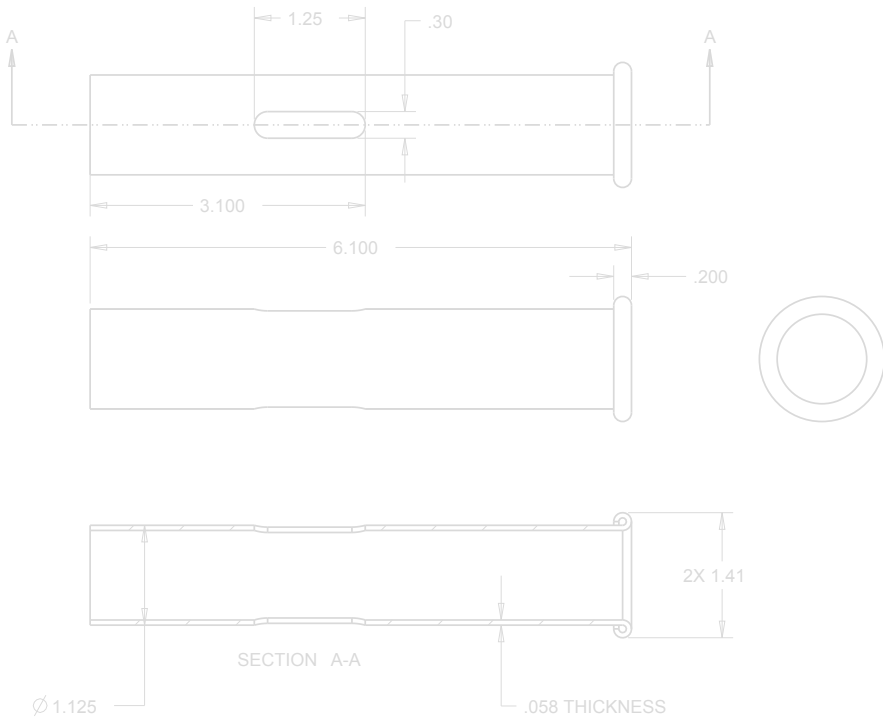


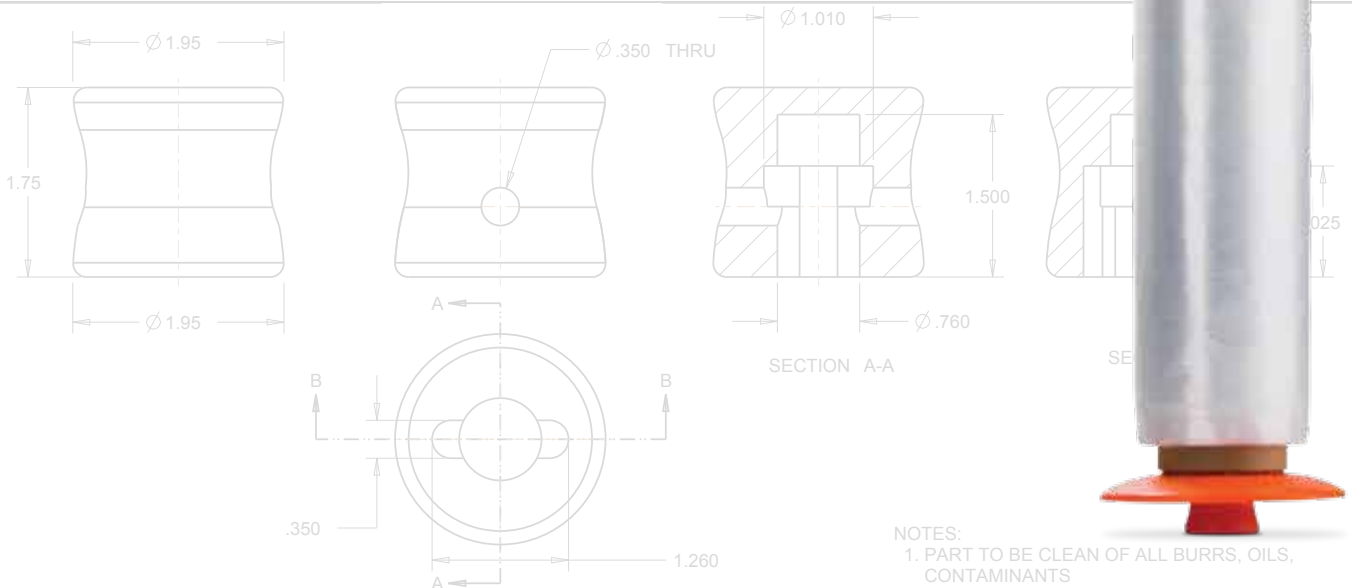
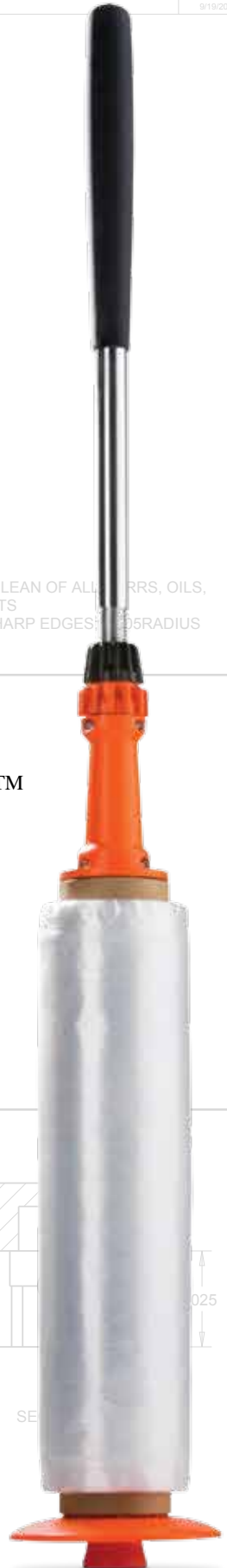
REVISION	DESCRIPTION	DATE
A	PROTOTYPE RELEASE	9/19/2012



NOTES:  
 1. PART TO BE CLEAN OF ALL BURRS, OILS, CONTAMINANTS  
 2. BREAK ALL SHARP EDGES; .05 RADIUS

# Wrapstik™

Super strong construction built to last in the most demanding applications



NOTES:  
 1. PART TO BE CLEAN OF ALL BURRS, OILS, CONTAMINANTS  
 2. BREAK ALL SHARP EDGES; 0.020 RADIUS

# Wrapstik™

- Reduces product damage claims resulting from loosely wrapped pallets
  - Economical cost providing immediate return on investment
  - Quick change of stretch rolls with a patent pending quarter-turn bottom loading mechanism
  - Easy to use/fast to apply
  - Do not need to disassemble unit every time you change rolls/solid state construction that will outlast any other applicator in the market
- ATS (Automatic Tensioning System) allows user to determine his/her own preference for tension
  - Prevents users from bending to wrap pallets which greatly reduces/eliminates Workers Comp Claims from back issues
  - **Safety Orange** which is easily seen in the warehouse from moving vehicles reducing damage to unit and injury to coworkers
  - Reduces waste of stretch wrap by applying evenly

*Since we started using the **Wrapstik**, our injury claims from hand wrapping pallets has gone from one a month to zero. This is the most superior way to hand wrap a pallet and cost justification is a no brainer due to reduced injury and happier warehouse staff.*

**Louis H.**  
*VP of Logistics for a Major Retailer*



**1 year**  
bumper to bumper  
warranty



Wrapstik™ by Danehe, Inc.  
1718 Peachtree Street NW  
Suite 681  
Atlanta, GA 30309

P: 404.835.7895  
F: 404.806.3755  
Email: info@danehe.com

danehe.com